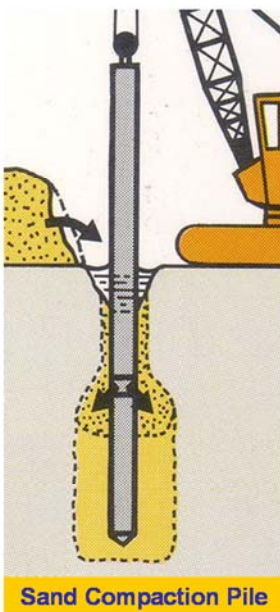
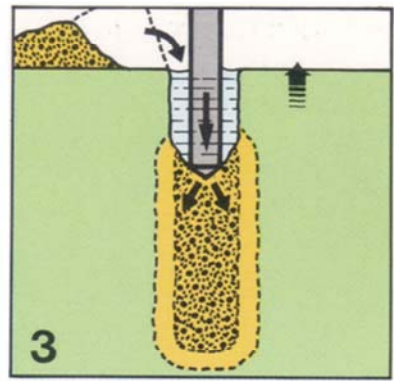
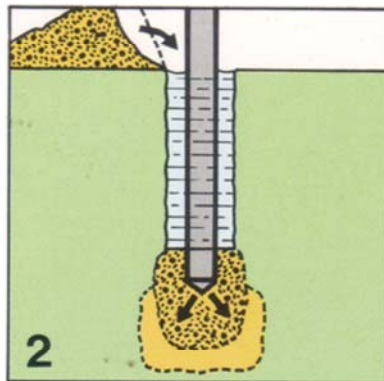
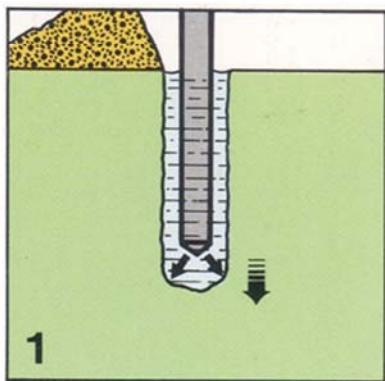
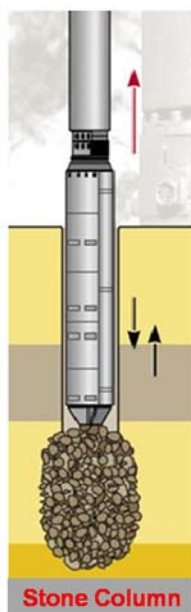


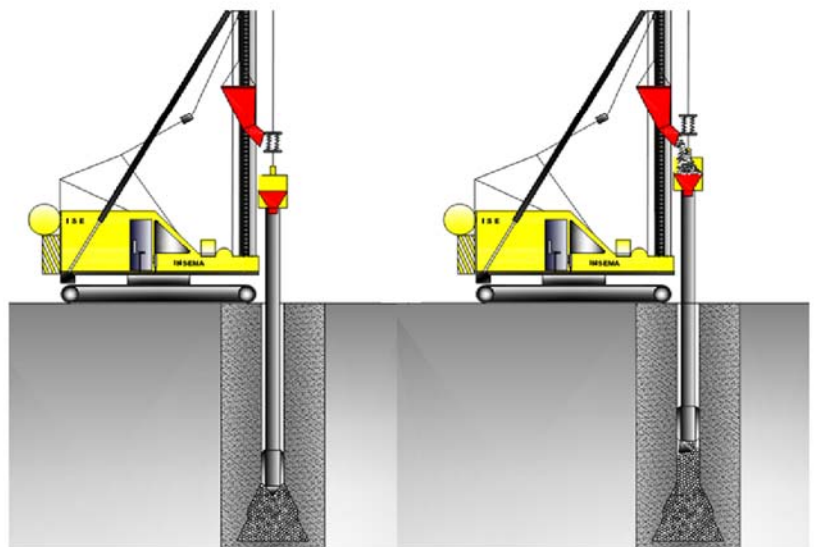
DESIGN GUIDELINE OF VIBRO COMPACTION (VBC) FOR PRACTICING ENGINEERS



Sand Compaction Pile



Stone Column



**DESIGN GUIDELINE OF
VIBRO COMPACTION (VBC)
FOR PRACTICING ENGINEERS**

1. Introduction	VBC-2
• Various ground improvement techniques	
• What is vibro-compaction	
2. Objective and Mechanism	VBC-4
3. Execution	VBC-7
• Insertion of probes	
• Dry and wet process	
• Dry process: vibro – displacement	
• Wet process: vibro – displacement, vibrofloatation, stone column, vibrocat	
4. Suitability of Ground	VBC-19
5. Design Guidelines of Vibro-Compaction.....	VBC-21
6. Design Guidelines of Stone Column	VBC-26
7. Stone Column Calculation Example	VBC-36
8. Vibration Issue	VBC-50
9. References	VBC-52